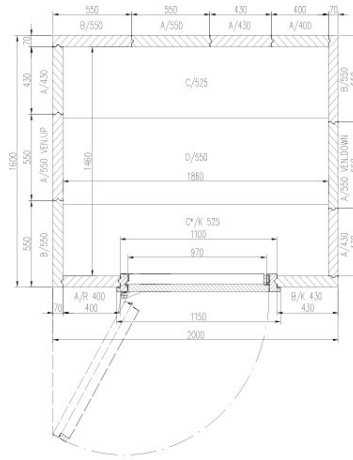


HT Strongroom III

Modular vault



Prime parameters

Size of the safe

External dimensions: 2200 mm × 2000 mm × 1600 mm

Resistance class and insurance

Security class I - XIII according to EN 1143-1

Colour

Choose your safe's standard colour or modify it

Electronic lock

Electronic lock

Technical details

External dimensions (H x W x D)	2200 mm x 2000 mm x 1600 mm
Internal dimensions (H x W x D)	2060 mm x 1860 mm x 1460 mm
Weight	4000 kg
Security class	I - XIII standard
Limit of protected value – home	to 200.000 €
Limit of protected value – company	to 100.000 €
Standard lock	Electronic lock
Size of the safe	Big
Article number	HT Strongroom III
Anti-burglary protection standard	EN 1143-1
Door opening direction	left side
Certification body	VdS
Lock	electronic
Door clearance dimensions	1980 x 970 mm
Lacquer/Colour	panels prepared for varnishing
Door properties	weight: 650 kg
Equipment	- modular construction of 70 mm thick burglar-proof panels, - ventilation system, - adaptation for installation of an alarm system